

1 MACHINE ROOM PLAN VIEW  
SCALE: 1/2"=1'-0"

ELEVATOR ENGINEER:  
**EDDINGTON  
ENGINEERING**



1116 SINGINGWOOD ROAD  
SACRAMENTO, CALIFORNIA 95864  
(916) 359-5300 FAX (916) 359-5301

ELEVATOR COMPANY:



KONE Inc.  
15021 Wicks Blvd.  
San Leandro, CA 94577  
Phone: (510) 351-5141  
Fax: (510) 351-5341

ARCHITECT OF RECORD:

**Max Peyvan AIA, PhD.**  
Peyvan + Healthcare Design  
3211 Ronino Way  
Lafayette, CA 94549  
Phone: (925) 949-8333  
Fax: (925) 949-8666  
Cell: (510) 220-1324  
eMail: max@phdarch.com

PROJECT TITLE:

**ELEVATOR #7  
ALTERATIONS**

**Stanford University  
Medical Center  
Stanford, California**

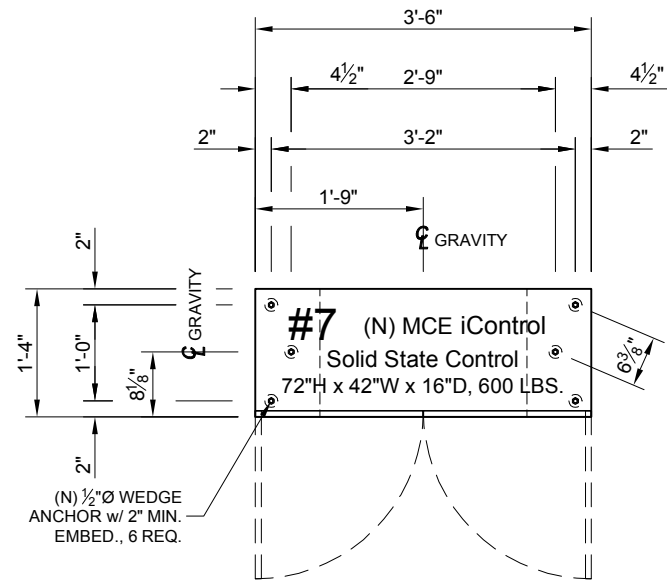
DRAWING TITLE:

**MACHINE ROOM PLAN**

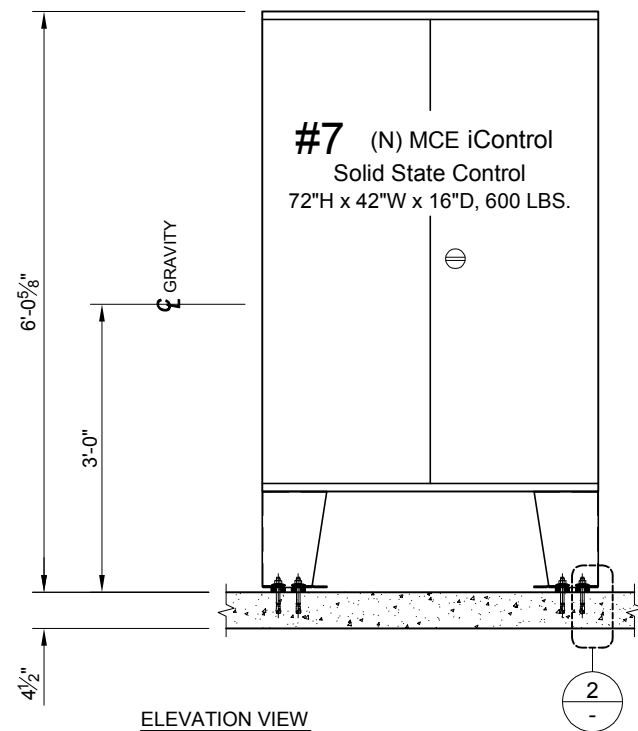
REVISIONS

NO.	DESCRIPTION	DATE

FILE NAME: SUMC7-3	JOB NO.: 2008022
DRAWN BY: R. Blaska	DRAWING NO. <b>2</b>
DATE: 10/20/2008	OF 5 SHEETS



PLAN VIEW



ELEVATION VIEW

1 CONTROLLER ANCHORAGE DETAIL  
SCALE: 1/2"=1'-0"

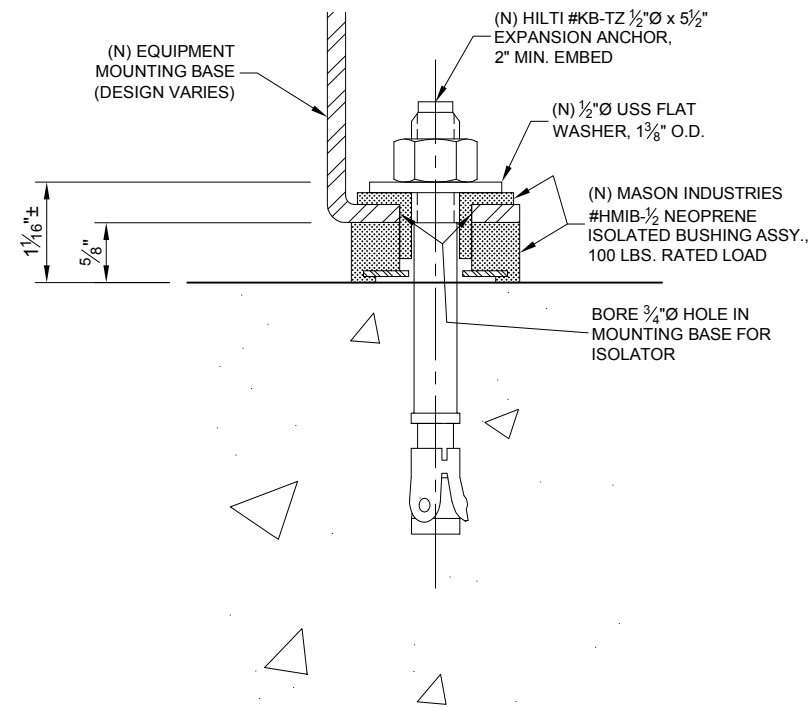
**GENERAL NOTES:**

1. IT IS THE INTENTION OF THE ELEVATOR ENGINEER THAT THESE DRAWINGS PORTRAY AN ELEVATOR INSTALLATION THAT IS IN FULL COMPLIANCE WITH THE CALIFORNIA CODE OF REGULATIONS TITLE 24, PARTS 1, 2 & 7. IF ANYTHING IS FOUND LACKING PLEASE CONTACT THE ELEVATOR ENGINEER IMMEDIATELY.
2. MATERIAL SPECIFICATIONS:
  - A. ALL ROLLED AND PLATE STEEL SHALL CONFORM TO ASTM A-36, Fy = 36,000 psi (U.O.N.).
  - B. MACHINE BOLTS SHALL BE MINIMUM ASTM A325 OR SAE GRADE 5 (U.O.N.).
  - C. WELDING SHALL USE E70 ELECTRODES.
3. WELDING QUALIFICATION REQUIREMENTS, WELDING PROCEDURE, AND WELDING ELECTRODES ARE TO CONFORM TO THE 2007 C.B.C. SECTION 2204A.1, AND ALL WELDS SHALL BE INSPECTED IN ACCORDANCE WITH APPLICABLE REQUIREMENTS OF THE 2007 C.B.C. CHAPTER 17, SECTION 1704A.
4. FOR BOLTED CONNECTIONS THE DISTANCE FROM THE CENTERLINE OF A STANDARD HOLE TO THE EDGE OF CONNECTED PART SHALL NOT BE LESS THAN THAT SHOWN IN A.I.S.C. TABLE J3.4. PLATE EDGES WITH HOLE CENTERLINE 1" OR NEARER SHALL NOT HAVE SHEARED EDGES. HOLES SHALL BE 1/16" LARGER THAN BOLT DIA.

**EXPANSION ANCHOR NOTES:**

EXPANSION ANCHOR TEST VALUES					
WEDGE ANCHORS IN HARDROCK CONCRETE					
DIA.	LOAD	TORQUE	DIA.	LOAD	TORQUE
3/8"	1100 lbs	25 ft-lbs	5/8"	2800 lbs	60 ft-lbs
1/2"	2000 lbs	40 ft-lbs	3/4"	3700 lbs	110 ft-lbs

1. EXPANSION ANCHORS SHALL BE HILTI KWIK BOLT TZ WEDGE ANCHORS I.C.C. REPORT #ESR-1917 (U.O.N.). SUBSTITUTIONS SHALL HAVE AN EQUIVALENT OR GREATER I.C.C. RATING. TESTING AND SPECIAL INSPECTION SHALL BE REQUIRED 24 HOURS AFTER ANCHOR INSTALLATION.
2. TEST 50% OF THE INSTALLED ANCHORS PER C.B.C. 1923A 3.5.



2 ANCHOR & ISOLATION DETAIL  
SCALE: 6"=1'-0"

ELEVATOR ENGINEER:  
**EDDINGTON  
ENGINEERING**



1116 SINGINGWOOD ROAD  
SACRAMENTO, CALIFORNIA 95864  
(916) 359-5300 FAX (916) 359-5301

ELEVATOR COMPANY:



KONE Inc.  
15021 Wicks Blvd.  
San Leandro, CA 94577  
Phone: (510) 351-5141  
Fax: (510) 351-5341

ARCHITECT OF RECORD:

**Max Peyvan AIA, PhD.**  
Peyvan + Healthcare Design  
3211 Ronino Way  
Lafayette, CA 94549  
Phone: (925) 949-8333  
Fax: (925) 949-8666  
Cell: (510) 220-1324  
eMail: max@phdarch.com

PROJECT TITLE:

**ELEVATOR #7  
ALTERATIONS**

**Stanford University  
Medical Center  
Stanford, California**

DRAWING TITLE:

**CONTROL EQUIPMENT  
ANCHORAGE & NOTES**

REVISIONS

NO.	DESCRIPTION	DATE

FILE NAME:

SUMC7-3

JOB NO.:

2008022

DRAWN BY:

R. Blaska

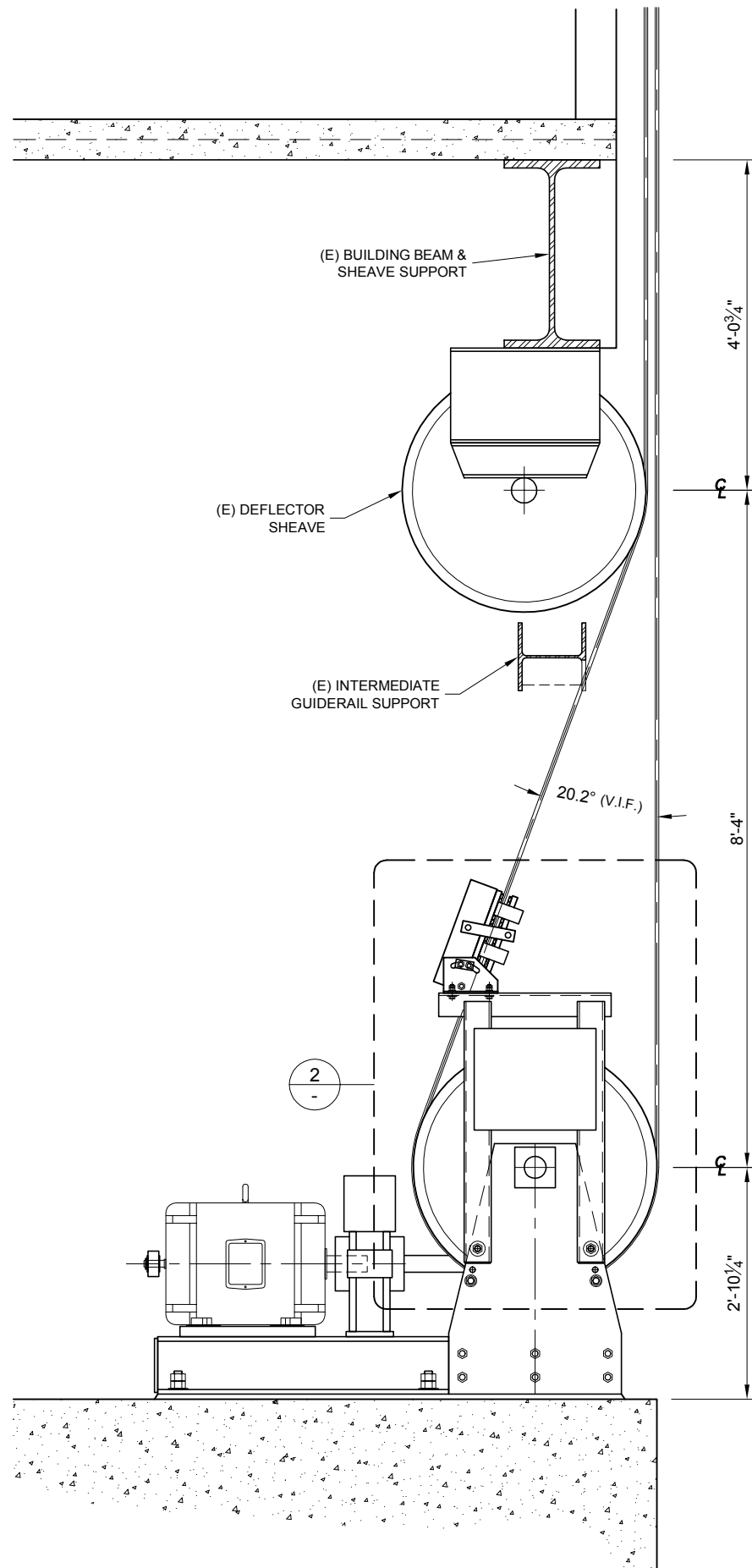
DRAWING NO.

**3**

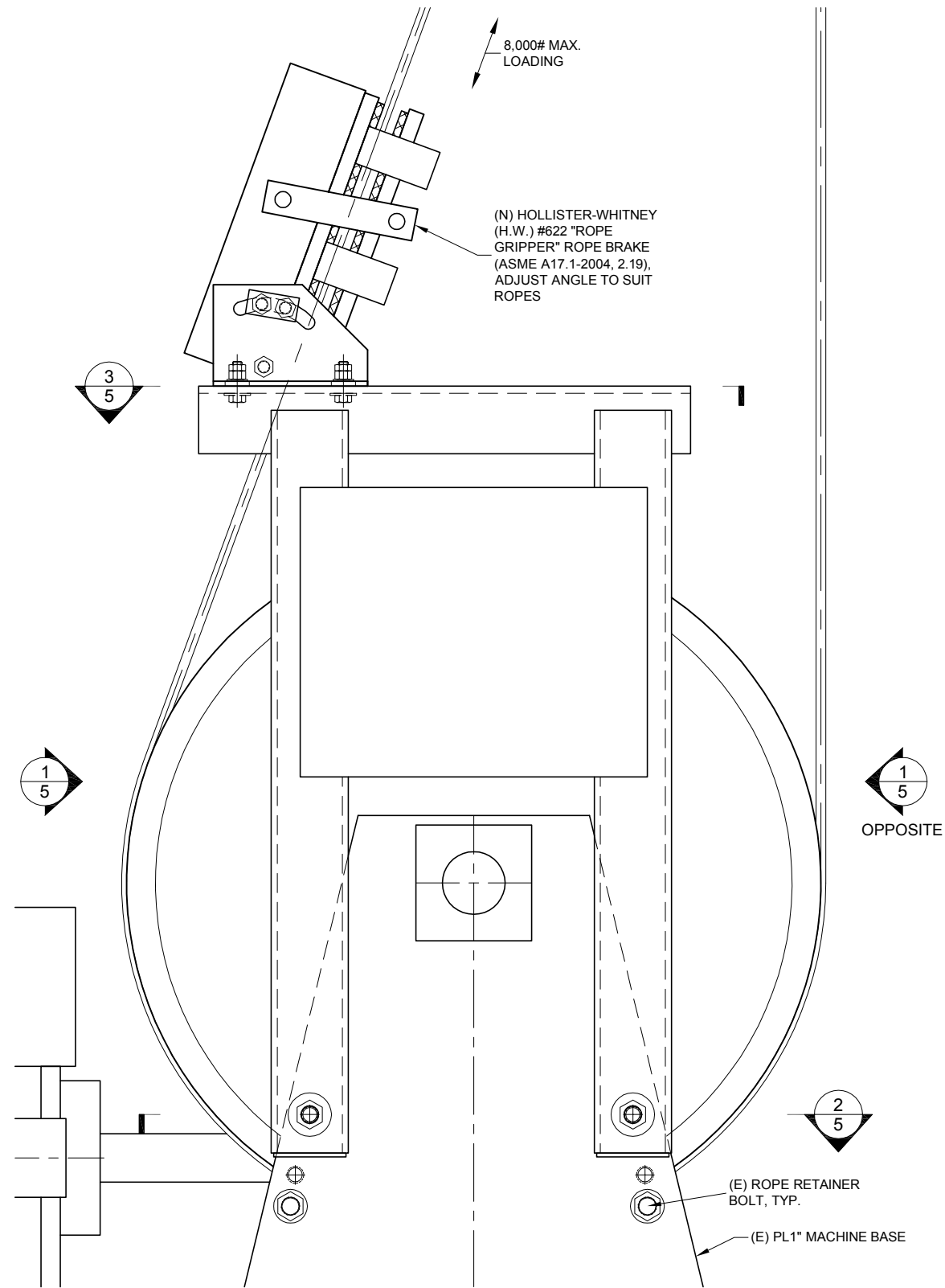
DATE:

10/20/2008

OF 5 SHEETS



**1** MACHINE & SHEAVE ELEVATION  
SCALE: 1/2"=1'-0"



**2** ROPE BRAKE MOUNT SIDE ELEVATION  
SCALE: 1-1/2"=1'-0"

ELEVATOR ENGINEER:  
**EDDINGTON  
ENGINEERING**



1116 SINGINGWOOD ROAD  
SACRAMENTO, CALIFORNIA 95864  
(916) 359-5300 FAX (916) 359-5301

ELEVATOR COMPANY:



KONE Inc.  
15021 Wicks Blvd.  
San Leandro, CA 94577  
Phone: (510) 351-5141  
Fax: (510) 351-5341

ARCHITECT OF RECORD:

**Max Peyvan AIA, PhD.**

Peyvan + Healthcare Design  
3211 Ronino Way  
Lafayette, CA 94549  
Phone: (925) 949-8333  
Fax: (925) 949-8666  
Cell: (510) 220-1324  
eMail: max@phdarch.com

PROJECT TITLE:

**ELEVATOR #7  
ALTERATIONS**

**Stanford University  
Medical Center  
Stanford, California**

DRAWING TITLE:

**ROPE BRAKE  
MOUNTING DETAILS**

REVISIONS

NO.	DESCRIPTION	DATE

FILE NAME:

SUMC7-3

JOB NO.:

2008022

DRAWN BY:

R. Blaska

DRAWING NO.

**4**

DATE:

10/20/2008

OF 5 SHEETS

